



Available individually



Six-pack display



Tightening Hitchpin  
Without Lock



# Tightening Hitch Pin with Lock

## Patented Tightening Hitch Pin Stops the Clank

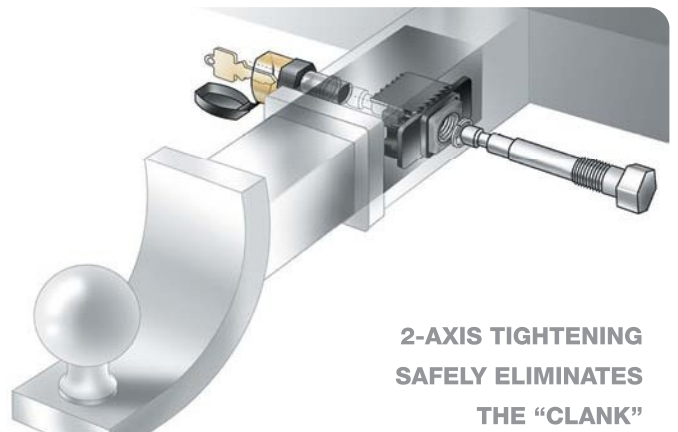
Two axis tightening & locking hitch pin

Reduces wear & tear on the vehicle's drive train

Adapts for use on other  
receiver-mounted products

### Key Features

- Stainless steel hitch pin
- Brass lock with rubber dust cover
- Use with any 2" hollow ball mount
- Eliminates the clanking sound while towing



**2-AXIS TIGHTENING  
SAFELY ELIMINATES  
THE "CLANK"**

### Tightening Hitch Pin Specifications

Weights 1 lb

Part # 25219 (Tightening Hitch Pin with Lock)

Part # 26343 (Tightening Hitch Pin without Lock)

Patent # 7,338,065